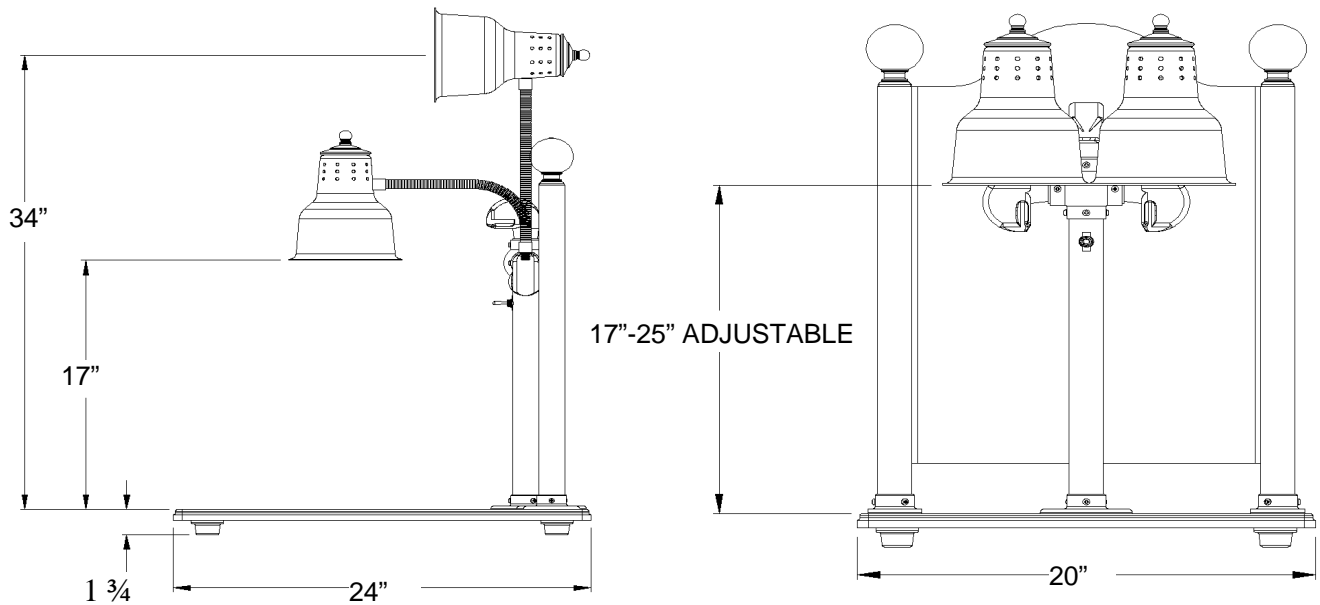
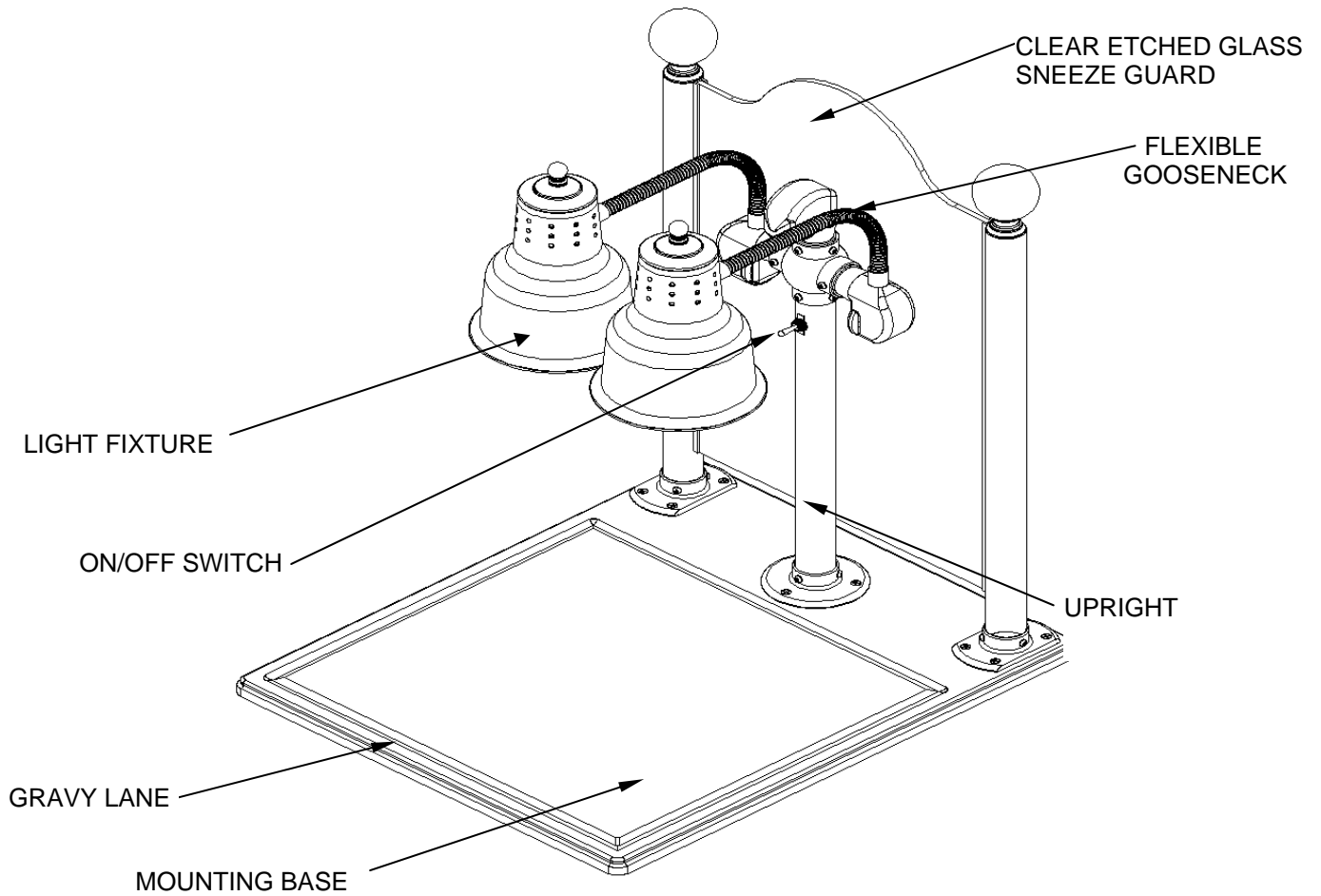


Chefs Carver



Chefs Carver

Description: Dual heat lamp fixture mounted on a 24" x 20" x 1 3/4" thick solid surface base. Base to be routed with gravy lane. Clear etched glass sneeze guard is standard. Brass surfaces have a clear baked enamel finish. All internal components including lamp sockets and wiring are high temperature rated (200°C). Lamp body and fittings constructed of solid brass. Switch is rated for 15 amps @ 120 volts.

Standard Models	
Model Number	Description
DLM/CC/BB	Dual lamp mounted warmer on "black granite pattern" solid surface base in Brass finish
DLM/CC/BB/CHROME	Dual lamp mounted warmer on "black granite pattern" solid surface base in Chrome finish
DLM/CC/BB/COPPER	Dual lamp mounted warmer on "black granite pattern" solid surface base in Copper finish
DLM/CC/WB	Dual lamp mounted warmer on white solid surface base in brass finish
DLM/CC/WB/CHROME	Dual lamp mounted warmer on white solid surface base in Chrome finish
DLM/CC/WB/COPPER	Dual lamp mounted warmer on white solid surface base in Copper finish
Custom finishes, custom glass sizes(full or pass through) custom base material and sizes also available	
Specifications	
Mechanical	
Parameter	Value
Base material	Solid surface standard, pewter platter or granite upon request
Base size	24" x 20" x 1 3/4 " thick(includes non slip feet)
Light head material	Brass plated spun aluminum
Light head	Approximately Ø6.50" x 9.0" long
Light head height from base	Adjustable 17"-25"
Upright and all fittings	Solid brass
Shipping weight	Approximately 105 pounds
Internal wiring	18 gauge Silver stranded with Teflon insulation. Rated (200° C)
Lamp socket	Glazed porcelain/nickel. Rated (200° C)
Switch	On/Off rated 15 amps @ 115 VAC
Power cord	115 VAC-18 gauge 3 conductor cable 84" long with Nema 5-15P plug (standard) 230 VAC-18 gauge 3 conductor harmonized cable 84" long with Schuko plug (standard)
Electrical	
Operating Voltage	115-230, VAC 50-60 Hz, single phase
Power	500 watts Maximum
Operating amperage	4.35 amps (115 VAC) 2.17 amps (230 VAC)
Lamp type	Infrared 250 watts maximum, shatterproof design
Safety Listings	
Organizations	