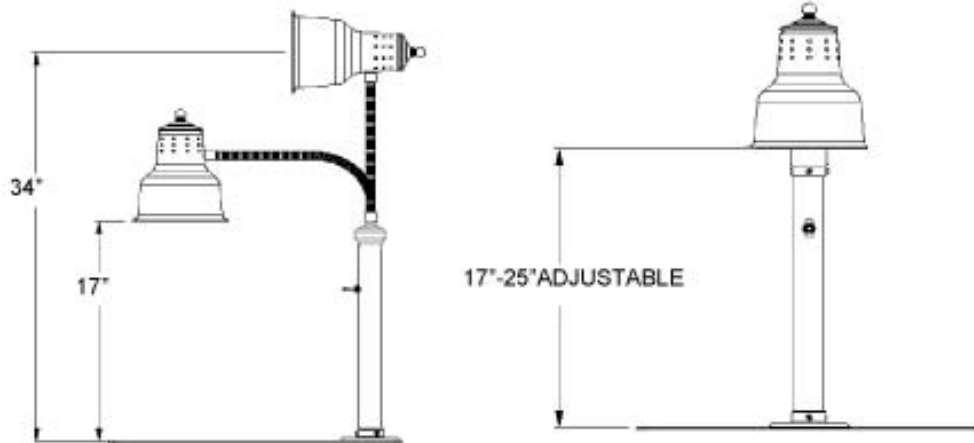
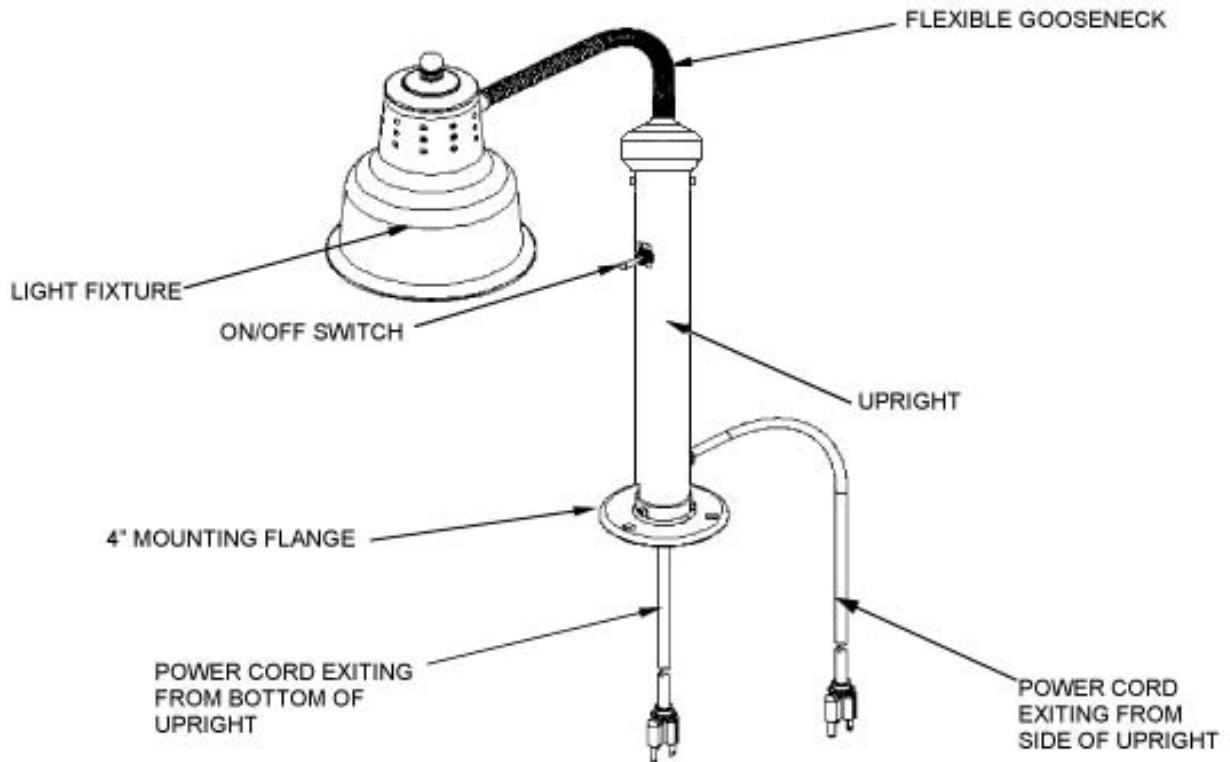



# ESL-FM Lamp for Mounting



Hanson Brass Products 7530 San Fernando Road, Sun Valley, California, 91352  
Toll Free (888) 841-3773, Fax (818) 767-7891 Website: [www.hansonbrass.com](http://www.hansonbrass.com)

# ESL/FM Heat Lamp Made For Mounting

**Description:** Single heat lamp fixture with 4" flange designed to be mounted by customer on either a counter or cutting board. Brass surfaces have a clear baked enamel finish. All internal components including lamp sockets and wiring are high temperature rated (200°C). Lamp body and fittings constructed of solid brass. Switch is rated for 15 amps @ 120 volts. Power cord can exit through side of upright or through bottom or upright depending on customer requirements.

<b>Standard Models</b>	
<b>Model Number</b>	<b>Description</b>
<b>ESL/FM</b>	Single lamp mounted warmer. Brass finish.
<b>ESL/FM/CHROME</b>	Single lamp mounted warmer in Chrome finish
<b>ESL/FM/COPPER</b>	Single lamp mounted in Copper finish
<b>Note:</b> Please specify power cord location, through side of upright or through bottom of Upright.	
<b>Custom Finishes Available</b>	
<b>Specifications</b>	
<b>Mechanical</b>	
Parameter	Value
Light head material	Brass plated spun aluminum
Light head	Approximately Ø6.50" x 9.0" long
Light head height from mounting surface	Adjustable 17"-25"
Upright and all fittings	Solid brass
Shipping weight	Approximately 18 pounds
Internal wiring	18 gauge Silver stranded with Teflon insulation. Rated (200° C)
Lamp socket	Glazed porcelain/nickel. Rated (200° C)
Switch	On/Off rated 15 amps @ 115 VAC
Power cord	115 VAC-18 gauge 3 conductor cable 84" long with Nema 5-15P plug (standard) 230 VAC-18 gauge 3 conductor harmonized cable 84" long with Schuko plug (standard). Cord can exit from side of upright tube or through bottom of upright tube.
<b>Electrical</b>	
Operating Voltage	115-230, VAC 50-60 Hz, single phase
Power	250 watts Maximum
Operating amperage	2.25 amps (115 VAC) 1.25 amps (230 VAC)
Lamp type	Infrared 250 watts maximum, shatterproof design.
<b>Safety Listings</b>	
Organizations	

Hanson Brass Products 7530 San Fernando Road, Sun Valley, California, 91352  
Toll Free (888) 841-3773, Fax (818) 767-7891 Website: [www.hansonbrass.com](http://www.hansonbrass.com)