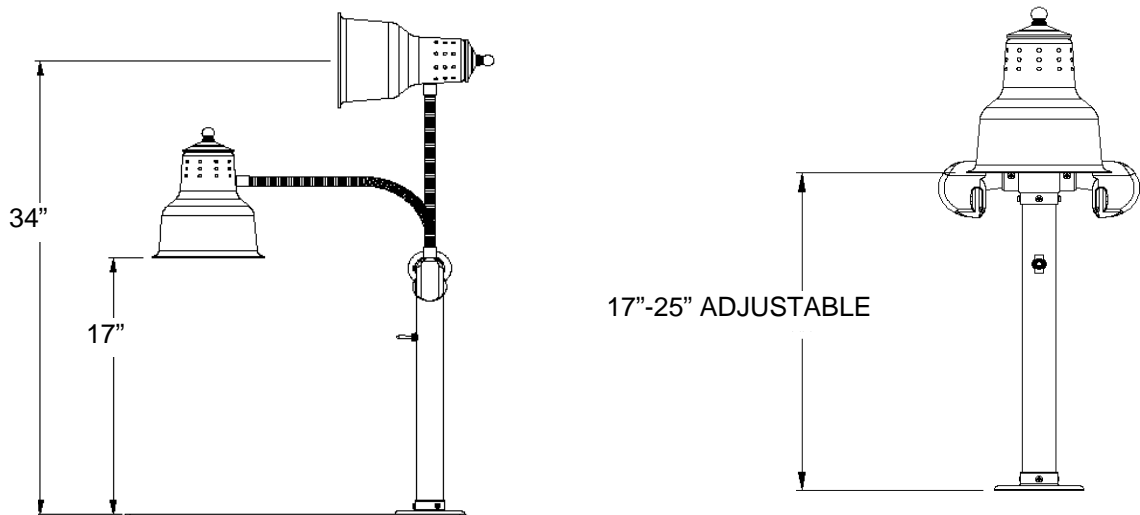
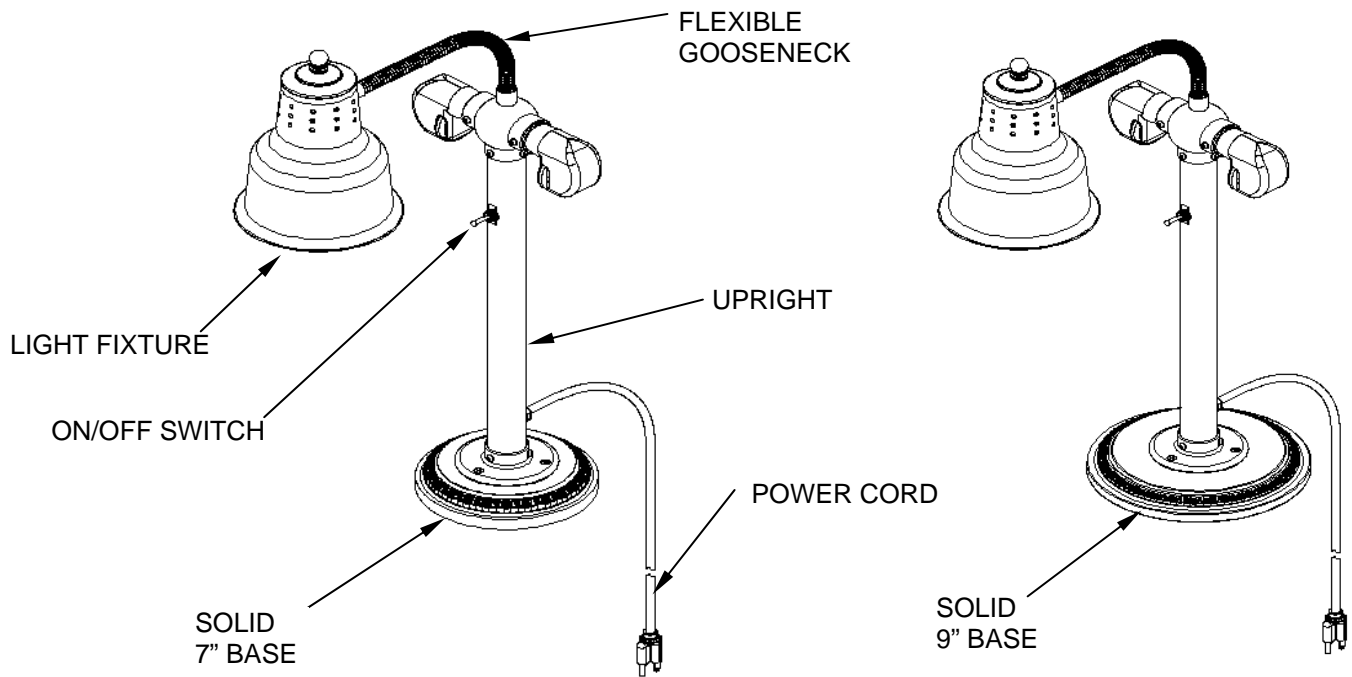


Free Standing Single Lamp



BASES NOT SHOWN FOR CLARITY

Free Standing Single Lamp

Description: Single heat lamp fixture mounted on a 7" or 9" solid or antique base. Can also be used with 10.5", 11" or 12" bases. (See Free Standing Dual Lamp cut sheet for larger base details) Brass surfaces have a clear baked enamel finish. All internal components including lamp sockets and wiring are high temperature rated (200°C). Lamp body and fittings constructed of solid brass. Switch is rated for 15 amps @ 120 volts. Power cord exits through side of upright.

Standard Models	
Model Number	Description
SLM/RB7/SOL	Free standing single lamp warmer with 7" solid brass base
SLM/RB7/CH/SOL	Free standing single lamp warmer with 7" solid base chrome finish
SLM/RB7/CO/SOL	Free standing single lamp warmer with 7" solid base copper finish
SLM/RB9/SOL	Free standing single lamp warmer with 9" solid brass base
SLM/RB9/CH/SOL	Free standing single lamp warmer with 9" solid base chrome finish
SLM/RB9/CO/SOL	Free standing single lamp warmer with 9" solid base copper finish
SLM/RB9/ANT	Free standing single lamp warmer with 9" antique base
SLM/RB12/ANT	Free standing single lamp warmer with 12" antique base
Custom Finishes Available	
Specifications	
Mechanical	
Parameter	Value
Light head material	Brass plated spun aluminum
Light head	Approximately Ø6.50" x 9.0" long
Light head height from mounting surface	Adjustable 17"-25"
Upright and all fittings	Solid brass
Shipping weight	Approximately 18 pounds
Internal wiring	18 gauge Silver stranded with Teflon insulation. Rated (200° C)
Lamp socket	Glazed porcelain/nickel. Rated (200° C)
Switch	On/Off rated 15 amps @ 115 VAC
Power cord	115 VAC-18 gauge 3 conductor cable 84" long with Nema 5-15P plug (standard) 230 VAC-18 gauge 3 conductor harmonized cable 84" long with Schuko plug (standard).
Electrical	
Operating Voltage	115-230, VAC 50-60 Hz, single phase
Power	250 watts Maximum
Operating amperage	2.25 amps (115 VAC) 1.25 amps (230 VAC)
Lamp type	Infrared 250 watts maximum, shatterproof design
Safety Listings	
Organizations	