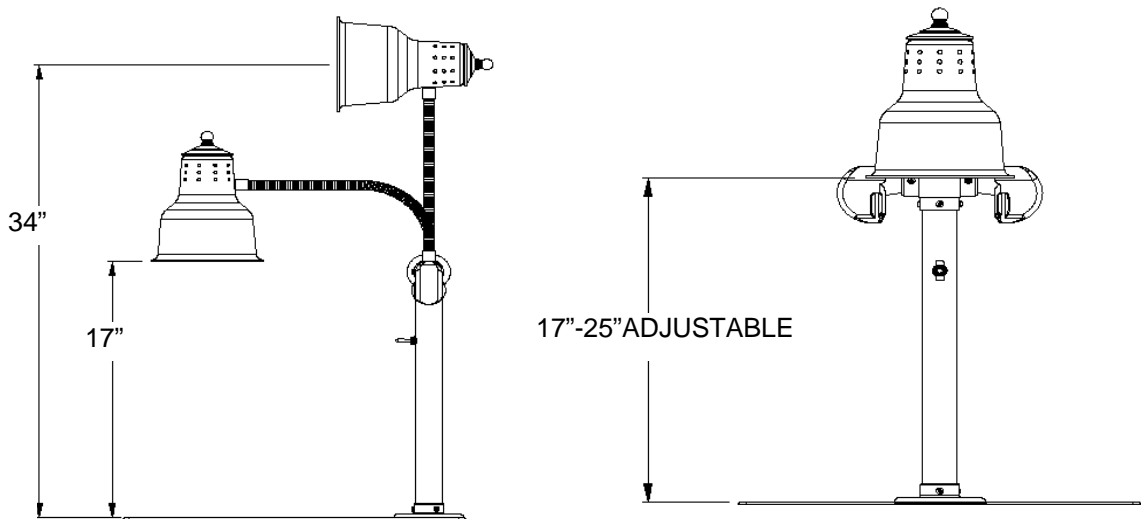
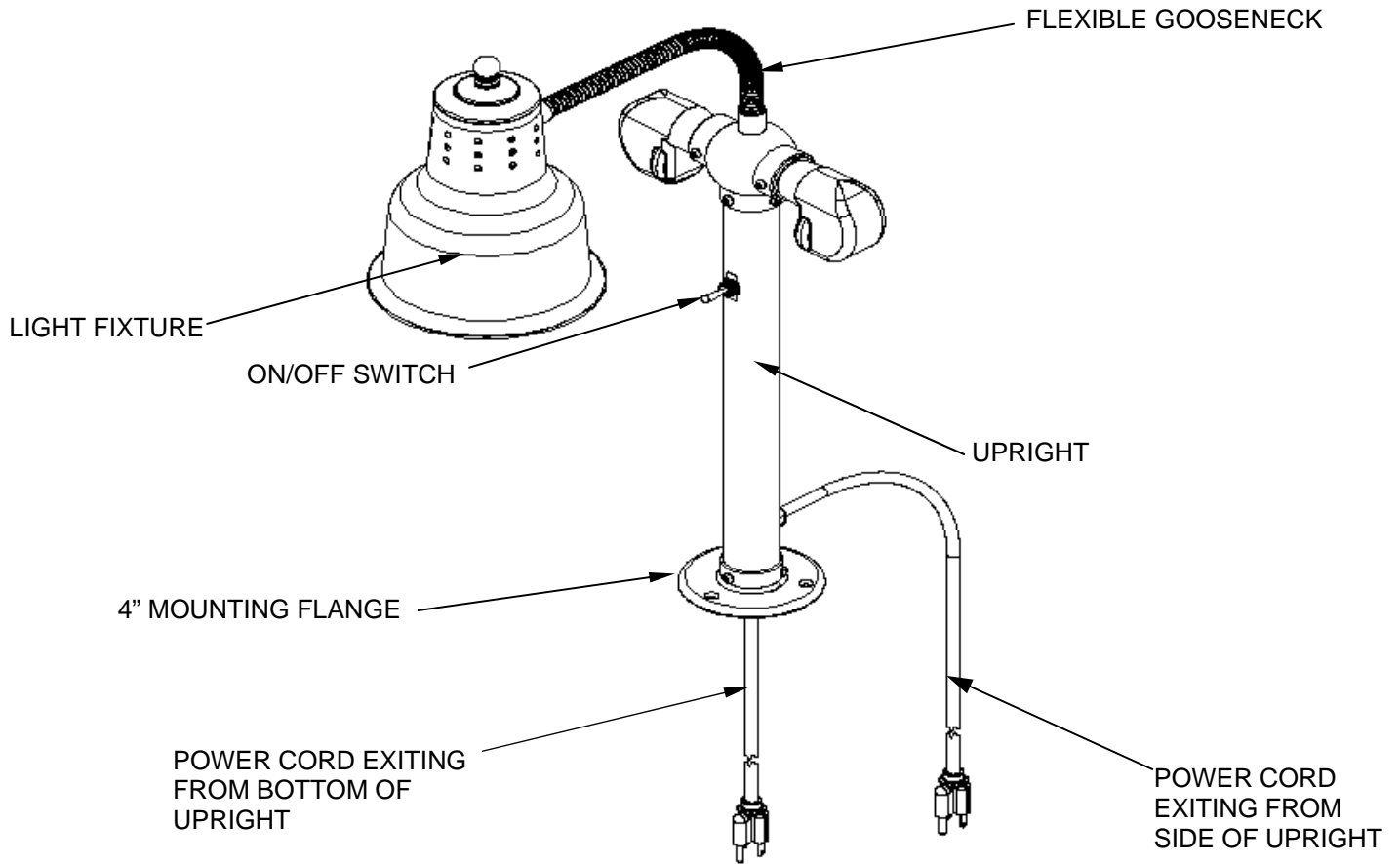


Single Lamp Made For Mounting



Single Lamp Made For Mounting

Description: Single heat lamp fixture with 4" flange designed to be mounted by customer on either a counter or cutting board. Brass surfaces have a clear baked enamel finish. All internal components including lamp sockets and wiring are high temperature rated (200°C). Lamp body and fittings constructed of solid brass. Switch is rated for 15 amps @ 120 volts. Power cord can exit through side of upright or through bottom or upright depending on customer requirements.

Standard Models	
Model Number	Description
SL/FM	Single lamp mounted warmer.
SL/FM/CHROME	Single lamp mounted warmer in Chrome finish
SL/FM/COPPER	Single lamp mounted in Copper finish
Note: Please specify power cord location, through side of upright or through bottom of Upright.	
Custom Finishes Available	
Specifications	
Mechanical	
Parameter	Value
Light head material	Brass plated spun aluminum
Light head	Approximately Ø6.50" x 9.0" long
Light head height from mounting surface	Adjustable 17"-25"
Upright and all fittings	Solid brass
Shipping weight	Approximately 18 pounds
Internal wiring	18 gauge Silver stranded with Teflon insulation. Rated (200° C)
Lamp socket	Glazed porcelain/nickel. Rated (200° C)
Switch	On/Off rated 15 amps @ 115 VAC
Power cord	115 VAC-18 gauge 3 conductor cable 84" long with Nema 5-15P plug (standard) 230 VAC-18 gauge 3 conductor harmonized cable 84" long with Schuko plug (standard). Cord can exit from side of upright tube or through bottom of upright tube.
Electrical	
Operating Voltage	115-230, VAC 50-60 Hz, single phase
Power	250 watts Maximum
Operating amperage	2.25 amps (115 VAC) 1.25 amps (230 VAC)
Lamp type	Infrared 250 watts maximum, shatterproof design.
Safety Listings	
Organizations	