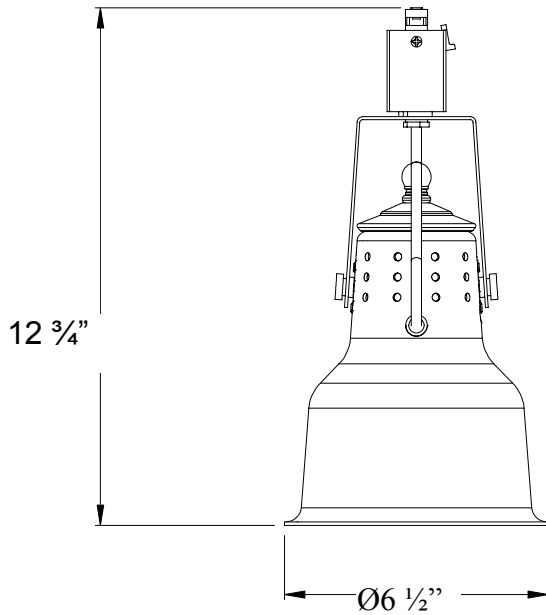
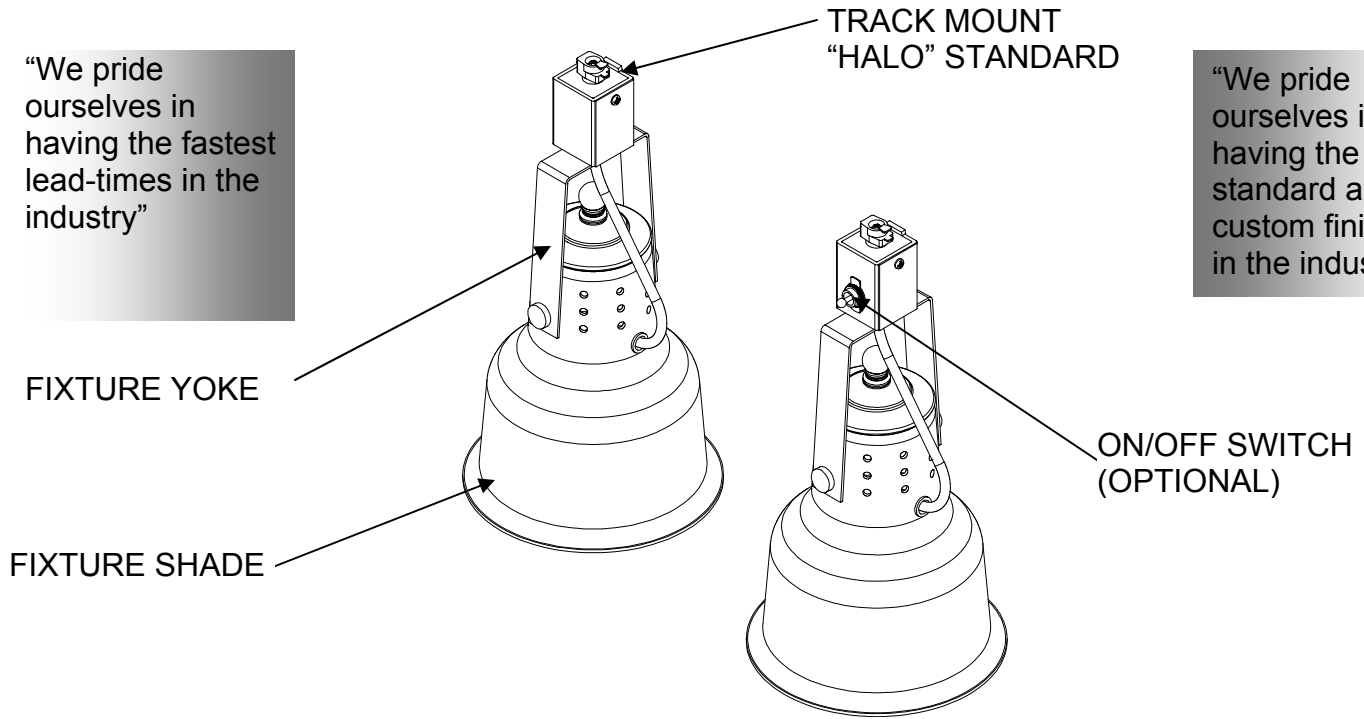


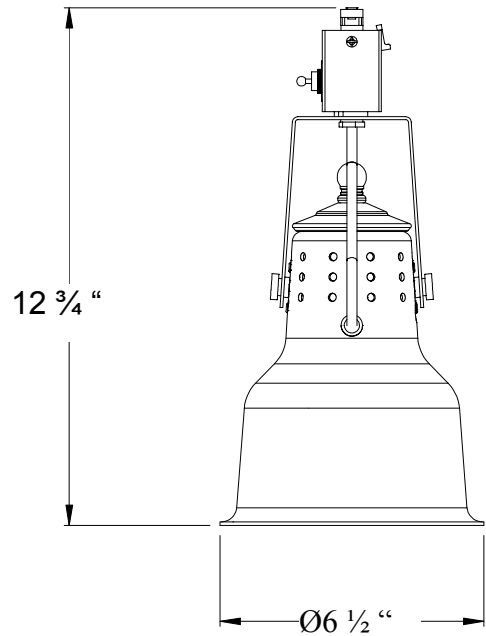
Track Mount Single Lamp

"We pride ourselves in having the fastest lead-times in the industry"

"We pride ourselves in having the most standard and custom finishes in the industry"



TRACK MOUNT



TRACK MOUNT WITH SWITCH

Track Mount Single Lamp

Description: Single heat lamp fixture with integral track mount. "Halo" style track mount standard. Juno and Lightolier track mounts also available (please specify with order).

Brass surfaces have a clear baked enamel finish. All internal components including lamp sockets and wiring are high temperature rated (200°C). Lamp body and fittings constructed of solid brass. Switch (optional) is rated for 15 amps @ 120 volts. Cord exits through side of fixture.

Standard Models	
Model Number	Description
TK50	Single lamp track mount warmer, brass finish
TK50/CH	Single lamp track mount warmer, chrome finish
TK50/CO	Single lamp track mount warmer, copper finish
TK50/S	Single lamp track mount warmer with switch, brass finish
TK50/CH/S	Single lamp track mount warmer with switch, chrome finish
TK50/CO/S	Single lamp track mount warmer with switch, copper finish
Custom Finishes Available. Please specify with order	
Specifications	
Mechanical	
Parameter	Value
Light head material	Brass plated spun aluminum
Light head	Approximately Ø6.50" x 9.0" long
Light head height from mounting surface	Varies depending on track location.
Track mount	"Halo" style standard. Juno, Lightolier also available
Shipping weight	Approximately 10 pounds
Internal wiring	18 gauge Silver stranded with Teflon insulation. Rated (200° C)
Lamp socket	Glazed porcelain/nickel. Rated (200° C)
Switch (optional)	On/Off rated 15 amps @ 115 VAC
Electrical	
Operating Voltage	115-230, VAC 50-60 Hz, single phase
Power	250 watts Maximum
Operating amperage	2.25 amps (115 VAC) 1.25 amps (230 VAC)
Lamp type	Infrared 250 watts maximum, shatterproof design
Safety Listings	
Organizations	